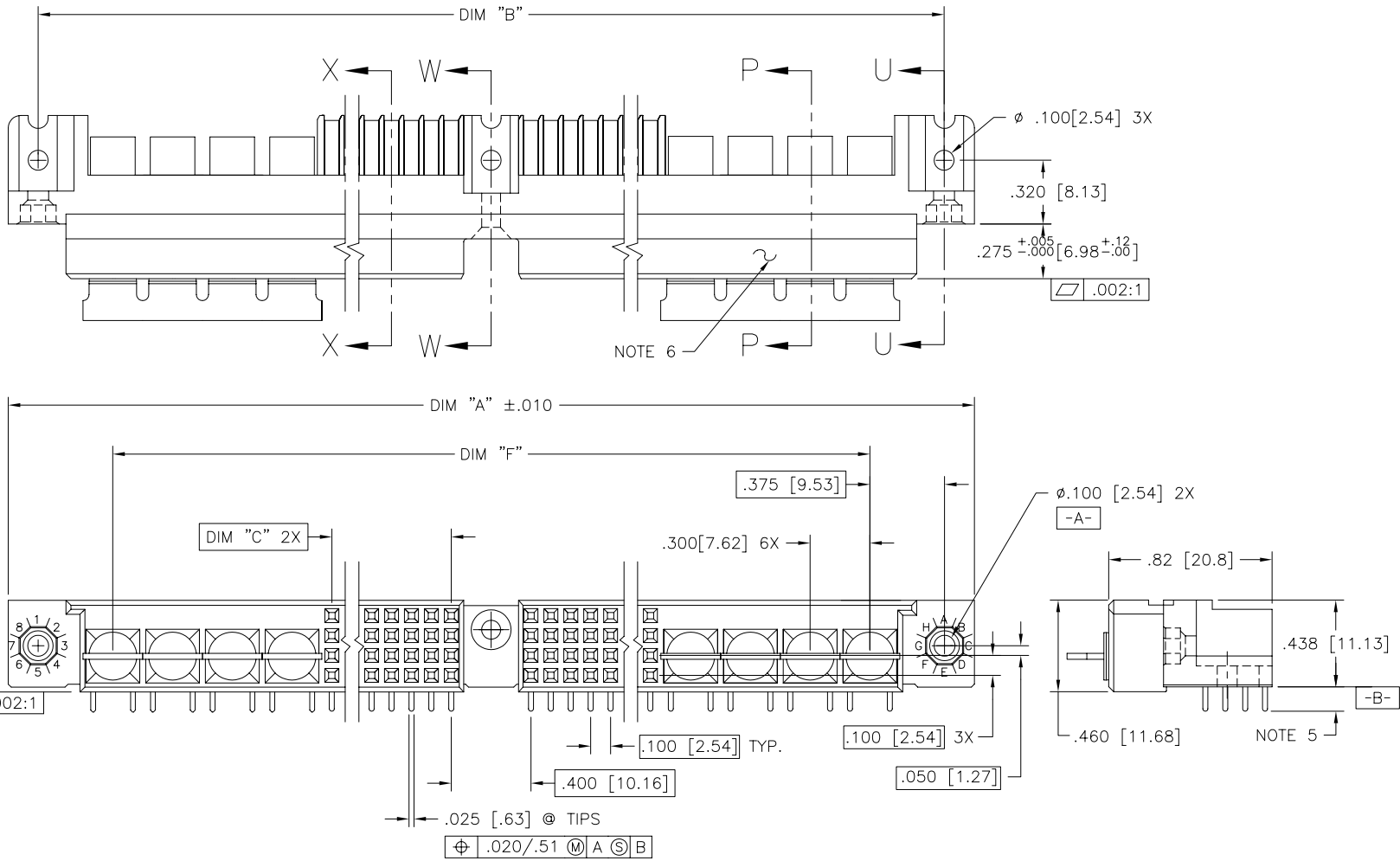


PRODUCT NUMBER  
SEE NOTE 1



Copyright FCI

mat'l. code NOTE 3		surface ISO 1302 ✓	tolerance ISO 406 ISO 1101	projection INCH/MM	product family HPC
ltr	ecn no	dr	date	tolerances unless otherwise specified	title
A	V23463	JM	10/19/92	angles linear .xx±.01/.3	4 ROW R/A RECEPTACLE SOLDER TAIL, 1 G.P., 8 P.P.
B	V40244	PDP	1/13/94	.xxx±.005/.13	
C	V91215	HTB	5/18/99	0'±2' .xxx±.0020/.051	
D	V00255	LSS	1/13/00	dr D.SHEAFFER 10/6/92	scale 1:1
E	M06-0255	MHT	7/06/06	enr S.CLARK 10/6/92	FCI
				chr S.CLARK 10/6/92	50570
				appd S.CLARK 10/6/92	sheet 1 of 2 size A3
sheet index	revision sheet	E	E		type Product Customer Drawing
		1	2		

form: A3

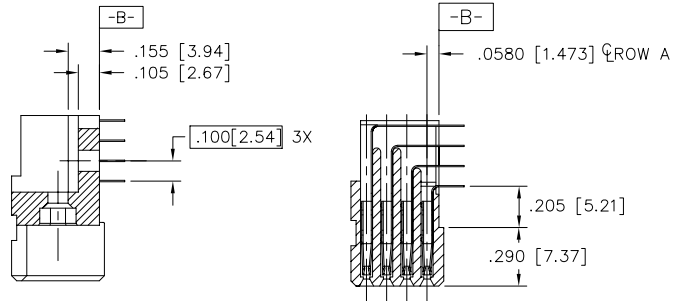
PRODUCT NUMBER	DIM.	LENGTH FORMULAS
SEE NOTE 1	DIM A	.100/2.54 X NO. OF COLUMNS + 3.45/87.6
	DIM B	.100/2.54 X NO. OF COLUMNS + 3.150/80.01
	DIM C	.100/2.54 X NO. OF COLUMNS DIVIDED BY 2 - .100/2.54
	DIM F	.100/2.54 X NO. OF COLUMNS + 2.400/60.96

NOTES:

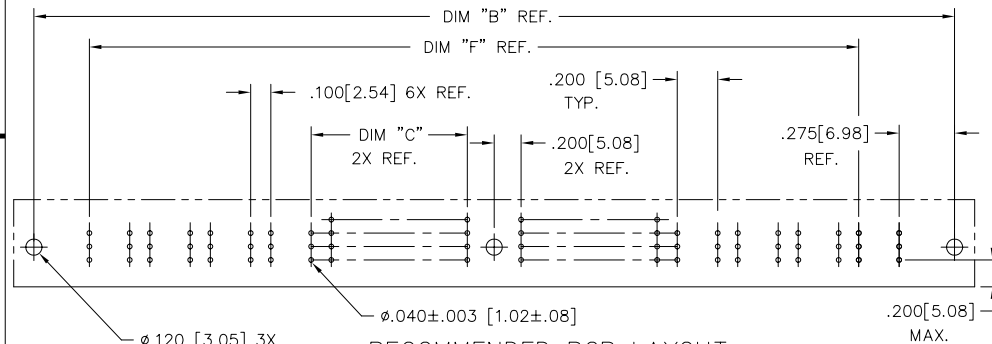
1. PRODUCT NUMBERING CODE:  
 50570 - XYYY Z  
 TAIL LENGTH (NOTE 5)  
 NO. OF POSITIONS (NOTE 2)  
 PLATING (NOTE 4)  
 BASE NUMBER

- PRODUCT NUMBERING CODE FOR  
 SELECT LOAD PART NUMBERS:  
 50570 - XYYYY  
 SEQUENCE NUMBER  
 ALWAYS 'XX'  
 BASE NUMBER

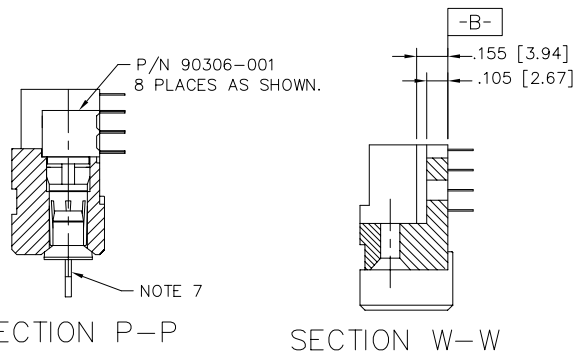
- ② THIS PRODUCT IS CONFIGURED IN SIZES OF 20 THRU 120 COLUMNS IN INCREMENTS OF TWO. i.e.: 20,22,24,26.....118,120.
- ③ HOUSING MATERIAL: GLASS AND MINERAL FILLED HIGH-TEMP THERMOPLASTIC FLAME RETARDANT PER UL94V-0 COLOR BLACK  
 CONTACT MATERIAL: BeCu
- ④ PLATING CONTACT AREA OPTIONS:  
 1 = 30u"/.76u GOLD  
 3 = 50u"/1.27u GOLD  
 5 = 30u"/.76u GXT  
 ALL SOLDER TAILS SnPb  
 POWER CONTACTS 30u"/.76u GOLD
- ⑤ TAIL LENGTH OPTIONS:  
 E = .125±.010 / 3.18±.25  
 F = .145±.010 / 3.68±.25  
 H = .180±.010 / 4.57±.25  
 ALL POWER TAILS = .145 / 3.68
- ⑥ MANUFACTURE'S NAME, PART NUMBER AND LOT CODE TO APPEAR ON THIS SURFACE PER BUS-12-108.
- ⑦ POWER SOCKET LOCATOR(P/N 50233) TO BE REMOVED AFTER SOLDERING OPERATION.
8. FOR DOCUMENTATION MENU, SEE SPEC. BUS-01-057.



SECTION U-U SECTION X-X



RECOMMENDED PCB LAYOUT  
 (ALL HOLES LOCATED ON .100 [2.54] GRID UNLESS OTHERWISE SPECIFIED)



SECTION P-P SECTION W-W

mat'l. code		surface	tolerance	projection	product family
		ISO 1302 ✓	ISO 406 ISO 1101		HPC
ltr		tolerances unless otherwise specified		title	
ecn no dr				4 ROW R/A RECEPTACLE	
date		angles	linear	SOLDER TAIL, 1 G.P., 8 P.P.	
		0°±2'	.xx±.01/.3 .xxx±.005/.13 .xxxx±.0020/.051	scale 1:1	
		dr	D.SHEAFFER	10/6/92	
		enr	S.CLARK	10/6/92	
		chr	S.CLARK	10/6/92	
		appd	S.CLARK	10/6/92	
sheet index		revision sheet	FCJ		type Product Customer Drawing
				50570 A3	
				sheet 2 of 2 size	



Copyright FCJ